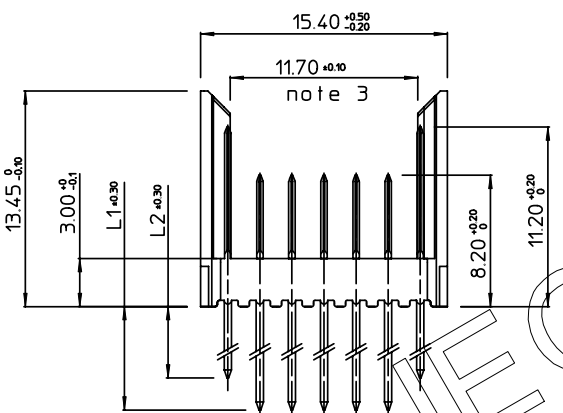
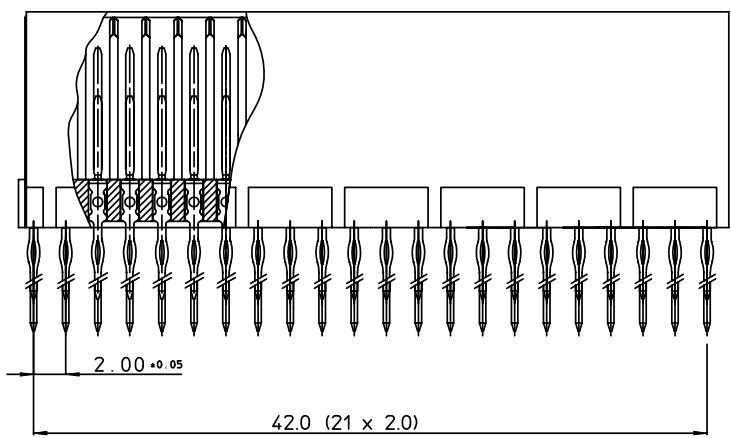


GEN. ST.	01	02	03	04	05	06	07	08	0D	50	60	70	80	90																	
INT. ST.	10	11	12	13	14	18	20	31	32	33	34	38	39	40	42	43	44	45	46	48	56	70	72	73	75	76	81	82	83	84	88

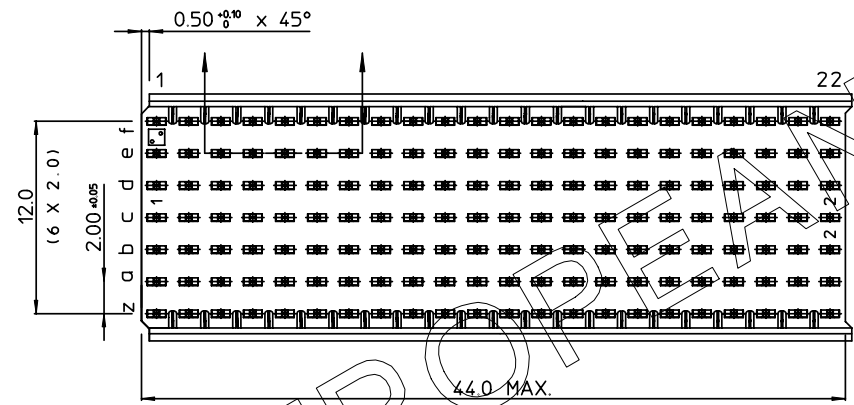
REV.	DATE	DESCRIPTION	BY	C'K'D'
A	2001-09-14	CONVERSION REVISION 02	KN	
B	2005-10-08	105-0184	ALEX B	BKP
C	2006-07-05	106-0096	VIVEK	BKP



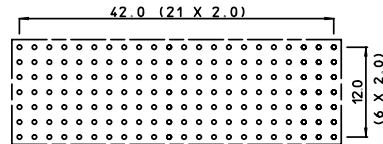
PERFORMANCE CHARACTERISTICS

CURRENT RATING : 1.5 A AT 20°C (FULLY LOADED)
 1 A AT 70°C (FULLY LOADED)
 RATED VOLTAGE : 500 V AC (CONT / CONT)
 OPERATING TEMPERATURE : -55°C TO 125°C
 CONTACT RESISTANCE : 20 mΩ MAX
 INSERTION FORCE : 0.75 N MAX / CONT
 EXTRACTION FORCE : 0.15 N MIN / CONT
 INSULATION RESISTANCE : 10⁴ MΩ MIN

CAT. NR.	L1±0.3	L2±0.3	DESCRIPTION
HM2P70PD5111----	3.7	3.7	SHORT PRESS-FIT
HM2P70PC5111----	4.5	4.5	SHORT PRESS-FIT
HM2P70PK5111----	13	4.5	REAR PLUG-UP : LEVEL 1
HM2P70PM5111----	14.5	4.5	REAR PLUG-UP : LEVEL 2
HM2P70PN5111----	16	4.5	REAR PLUG-UP : LEVEL 3
HM2P70PT5111----	13	4.5	WIRE WRAP



LAY-OUT
P.C.B. - HOLE

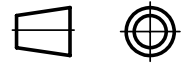


NOTES

- *HM2P70P#5111---
 PERFORMANCE LEVEL INDICATOR (REFER DWG No. BS,C ,201844,003)
 LEAD FREE INDICATOR : LF=LEAD FREE (DIGIT 15&16)
- THIS PRODUCT IS CSA APPROVED.
 THIS PRODUCT IS UL RECOGNIZED.
- MEASURED AT THE BOTTOM.
- FOR RECOMMENDED PTH DIMENSIONS REFER DRAWING : BS,A ,201572,001
- THE PRODUCT (LF) MEETS EUROPEAN UNION DIRECTIVES AND OTHER COUNTRY REGULATIONS AS DESCRIBED IN GS-22-008

MALE SIGNAL STRAIGHT PRESS-FIT-TO-BOARD CONNECTOR

WITHOUT SERVICECENTER (WIDE BODY)			
1DEC ±0.2 2DEC ±0.1 ANGLES ±1°	APPR.	DATE	SIGN.
	DRAFT	1997-11-28	M.Fret
	CHECKED		
WE RESERVE THE RIGHT TO CHANGE DIMENSIONS OR REQUIREMENTS WITHOUT PRIOR NOTICE.	PROD. MGR.		
	PR. ENG. MGR.		
	PR. MGT. MGR.		
ALL DIMENSIONS IN MM	MILLIPACS 2 / TYPE B (22 POS.) / SHIELDED		CAT. No. HM2P70P#5111----
	www.fciconnect.com		SCALE 3/1



REFERENCES

BS,C ,201632,024 C

THIS IS OUR EXCLUSIVE PROPERTY. IT IS NOT TO BE COPIED, REPRINTED OR DISCLOSED TO A THIRD PARTY, NOR USED FOR MANUFACTURING WITHOUT OUR WRITTEN CONSENT, AND HAS TO BE RETURNED TO US IN CASE OF NO USAGE
 DIT IS ONZE EIGENDOM EN MAG NIET NAGEMAKT, HERDRUKT, OVERGEMAKT AAN DERDEN, NOCH VOOR FABRIKATIE GEBRUIKT WORDEN, ZONDER ONZE SCHRIFTELIJKE TOELATING. BIJ NIET GEBRUIK IS TERUGZENDING VERPLICHT.